

Priority on ergonomics
and health



BIOSWING 360 iQ



Configuration of the bestseller model:

- ✓ BIOSWING 3D Seating System
- ✓ Synchronous mechanics
- ✓ Adjustable lumbar support
- ✓ Height-adjustable armrests
- ✓ Seat depth adjustment
- ✓ With pelvic balance or alternatively with seat inclination adjustment
- ✓ Adjustable seat height
- ✓ Castors for hard or alternatively for soft floors

Upholstery:

fabric, black



Priority on ergonomics
and health

Backrest height:
60 cm

Backrest height:
50 cm



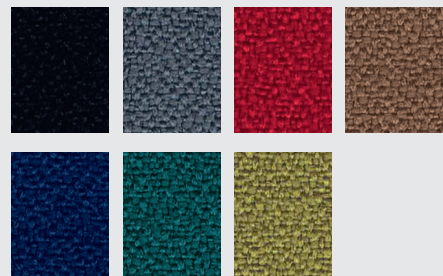
BIOSWING 350/360 iQ ECO



Configuration of the bestseller model:

- ✓ BIOSWING 3D Seating System
- ✓ Elastic backrest connection
- ✓ Adjustable lumbar support
- ✓ Height adjustable armrests
- ✓ Pelvic balance
- ✓ Adjustable seat height
- ✓ Castors for hard or alternatively for soft floors
- ✓ Two different backrest heights available

Colour palette:



BIOSWING – improve your life

SMART SOLUTIONS FOR HEALTHY SITTING

BIOSWING series 3



BIOSWING seating systems – tested and recommended by the Campaign for Healthier Backs (Aktion Gesunder Rücken e.V.)

The Campaign for Healthier Backs (AGR), an independent association, takes a deep interest in the back and health as a topic and has developed a **neutral seal of approval** which is awarded to products whose **back-friendly design** has been verified in thorough tests by an independent testing committee. All the BIOSWING ranges of models have been **tested, certified and rated as highly recommended seating systems** in the categories of “Active office chair” and “Active chair”.



The BIOSWING 3D SEATING SYSTEM



The intelligent, adaptive 3D movement technology

The adaptive 3D seating system in the BIOSWING system absorbs the body movement impulses generated when sitting and reflects them precisely and effectively. It is aligned with the logic of people's bodies and movements when sitting and therefore adapts automatically and harmoniously to the natural frequencies of 0.8 to 2.7 hertz.

At www.bioswing.de you can learn more about the technology and the multiple effects on the body and mind.

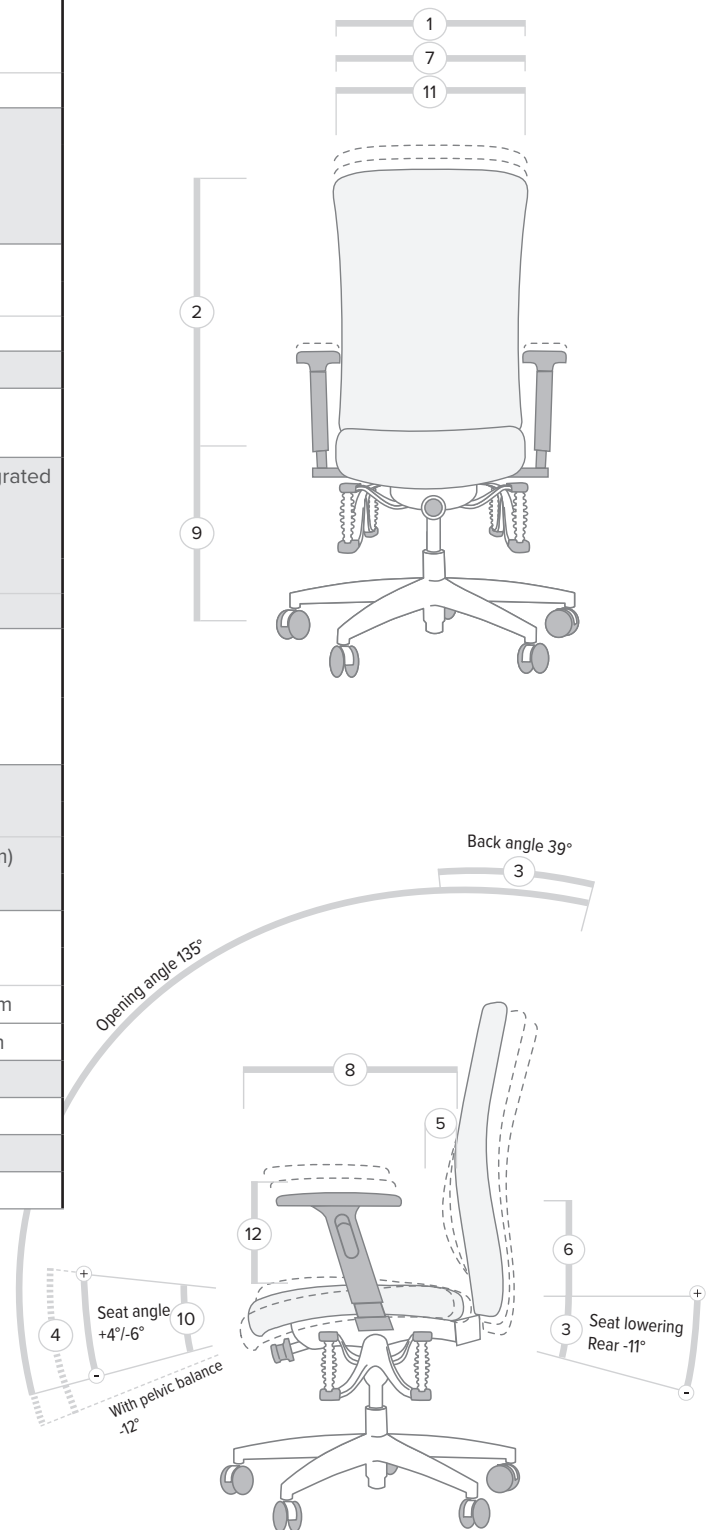
BIOSWING – improve your life

SMART SOLUTIONS FOR HEALTHY SITTING

BIOSWING 360 iQ Bestseller – Technical data

1	Backrest width	46 cm
2	Backrest height	60 cm
	Height adjustment range	7 cm
3	Synchronous mechanics	35 - 150 kg
	With adjustable back pressure adaptation, continuously adjustable sitting position with stop/permanent contact	
	Synchronous ratio	
4	Pelvic balance	-6°
	Adjustment of inclination of seat and back padding automatic and synchronous with the body	
	Lumbar support	
5	Continuously adjustable	0 - 3.5 cm
6	Height-adjustable via seat	17 - 24 cm
7	Seat width	47 cm
8	Seat depth adjustment (by sliding carriage with control lever)	46 - 52 cm
9	Seat height (Dimensioned in acc. with DIN standard with pressurised seat loading pad)	Seat height with integrated pelvic balance 2 cm higher!
	Gas spring 1	42 - 52 cm
	Gas spring 2	50 - 63 cm
10	Seat inclination adjustment (by gas spring with control lever)	+4° to -6°
	Continuously adjustable with stop/permanent adjustment	
11	Armrest width	46 cm (± 5 cm)
	Adjustable: 1F	
	Adjustable: 4F	
	Pivoting range of arm support	± 18°
12	Armrest height	19 - 26 cm
	Adjustable: 1F	20 - 27 cm/5.0 cm
	Adjustable: 4F/adjustable depth	
	Size, packed, W x D x H	68 x 68 x 106 cm
	Weight, packed	35 - 40 kg
	Fabrics: linear metre x fabric width	140 x 140 cm
	Leather: effective, free from defects	2.5 sq.m.
	Maximum capacity	125 kg

(all size specifications ± 2%)



BIOSWING 350/360 iQ ECO Bestseller – Technical data

1	Backrest width	46 cm
2	Backrest height	Model 350: 50 cm Model 360: 60 cm
	Height adjustment range	7 cm
3	EcoMatic Elastic backrest connection	5–10°
4	Backrest inclination Adjustable by handwheel	29°
5	Pelvic balance Adjustment of inclination of seat and back padding automatic and synchronous with the body	-6 to +6 degrees
	Lumbar support	
6	Continuously adjustable	0–3.5 cm
7	Height-adjustable via seat	17–24 cm
8	Seat width	47 cm
9	Seat depth	46 cm
10	Seat height (Dimensioned in acc. with DIN standard with pressurised seat loading pad)	Seat height with integrated pelvic balance 2 cm higher!
	Gas spring 1	42–52 cm
	Gas spring 2	50–63 cm
11	Armrest width Adjustable: 1F Adjustable: 4F Pivoting range of arm support	46 cm (± 5 cm) 43–47 cm (± 5 cm) ± 18 degrees
12	Armrest height Adjustable: 1F Adjustable: 4F/adjustable depth	19–26 cm 20–27 cm/5.0 cm
	Size, packed, W x D x H	68 x 68 x 106 cm
	Weight, packed	30–35 kg
	Fabrics: linear metre x fabric width	Model 350: 135 x 140 cm Model 360: 140 x 140 cm
	Leather: effective, free from defects	Model 350: 2.4 sq.m. Model 360: 2.5 sq.m.
	Maximum capacity	125 kg

(all size specifications ± 2%)

